

HA'GALIL PROFILES LTD.

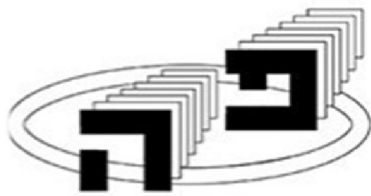
Advanced Aluminum Systems *3275

HIGH-TEC FENCE IN A CLICK



Stage 1

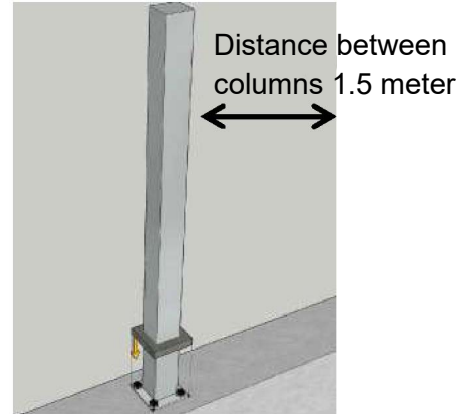
The profiles are protected as registered items | Fax 04-9884015 | 3275*



HA'GALIL PROFILES LTD.

Advanced Aluminum Systems *3275

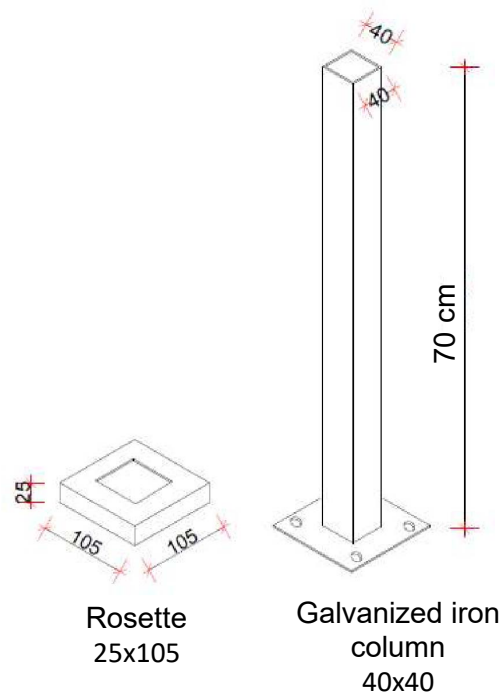
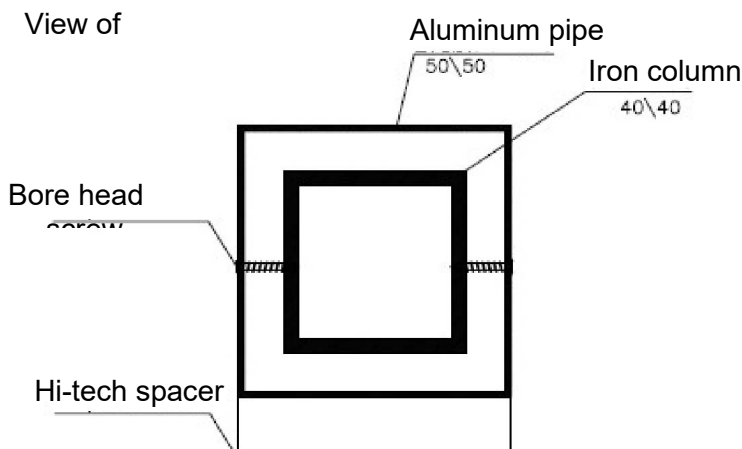
1. Fix a 40/40 iron column to the desired place and join using 4 Jumbo bolts. It is recommended to position a column every 150 cm.

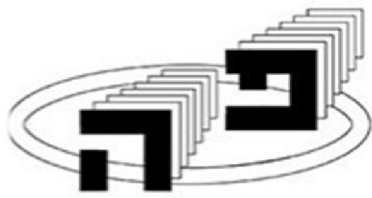


2. Insert a rosette to cover the bolts (054001).
3. Cover the iron column (00292) with a processed 50/50 aluminum pipe with its attached hi-tech spacer (delivered attached).
4. Level and fix using screws on both sides.



Technical Data



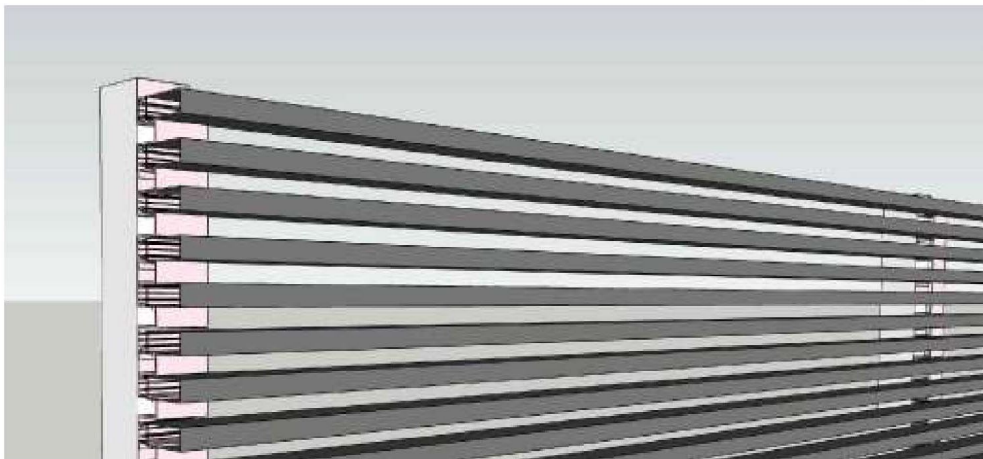
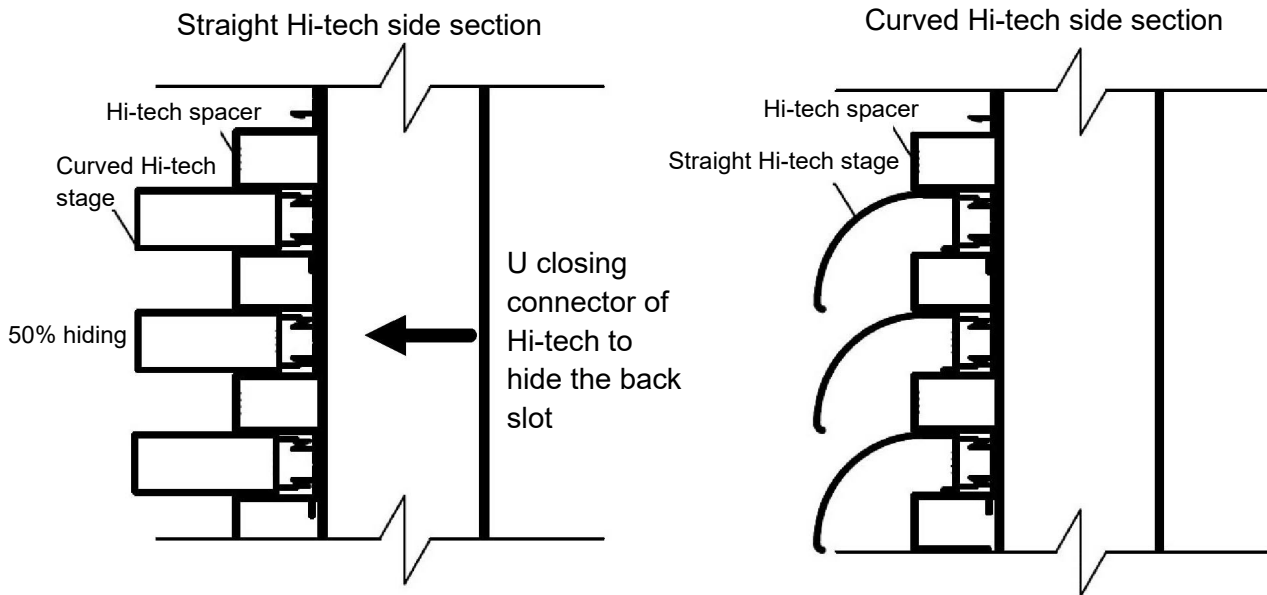


HA'GALIL PROFILES LTD.

Advanced Aluminum Systems *3275

Stage 2

1. Clicking the cover to the whole width of the fence



Technical Data

Profile No.	Description	Sketch	Weight g/m
563036	Hi-tech spacer		0.788
563037	Hi-tech rung		0.370
563043	Curved Hi-tech		0.372
563030	U closing for Hi-tech		0.143