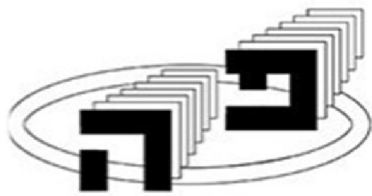


HA'GALIL PROFILES LTD.

Advanced Aluminum Systems *3275

ADJUSTABLE HIGH-TEC FENCE IN THREADING

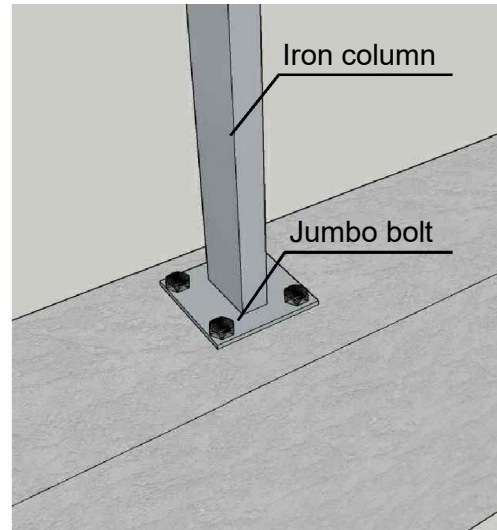
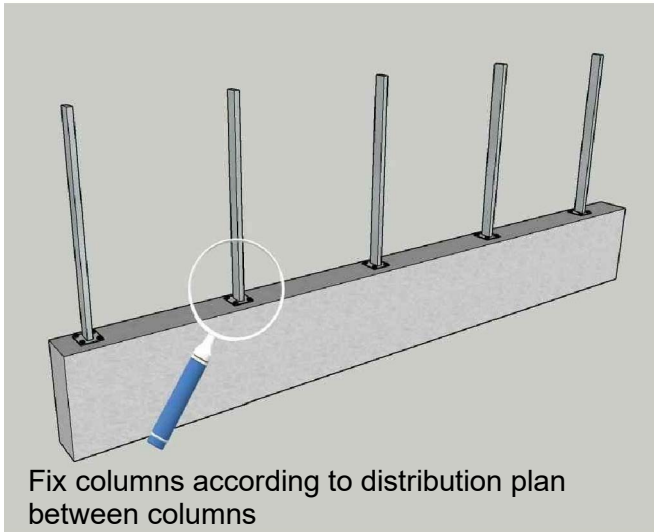


HA'GALIL PROFILES LTD.

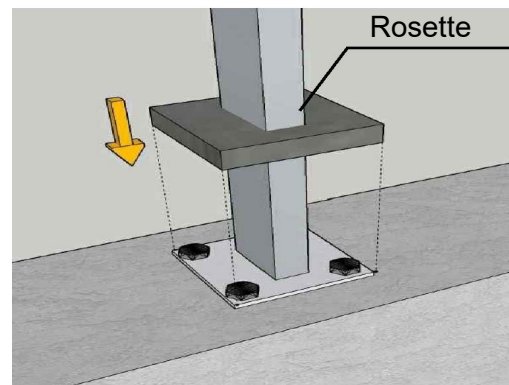
Advanced Aluminum Systems *3275

Stage 1

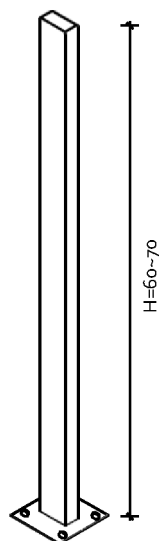
1. Fix a 25/50 iron column to the desired place and join using 4 Jumbo bolts.



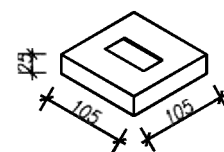
2. Insert the rosette to cover the bolts.



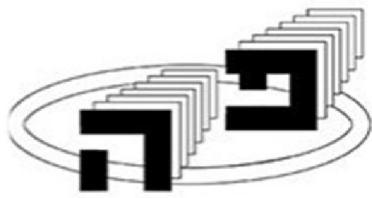
Technical Data



Galvanized iron column
50X25
Catalogue No. 054002



Rosette 25X105
Catalogue No. 050001

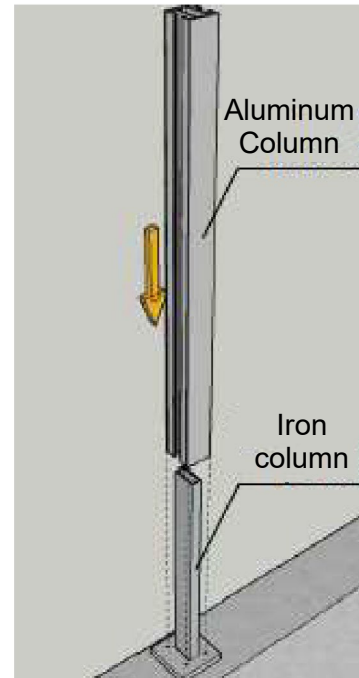


HA'GALIL PROFILES LTD.

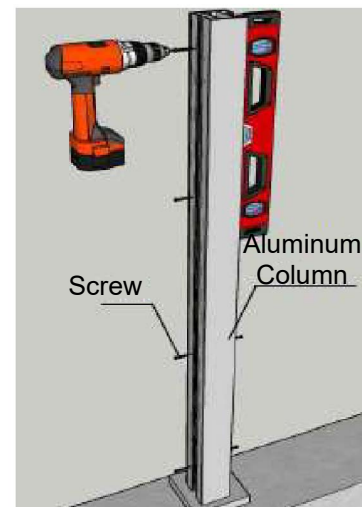
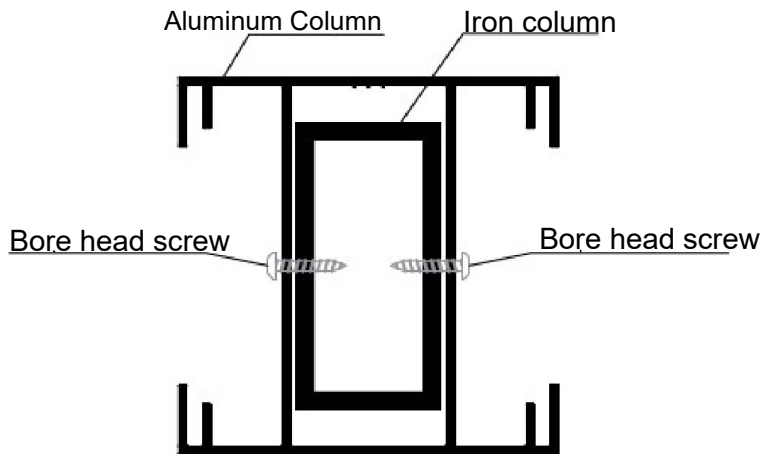
Advanced Aluminum Systems *3275

Stage 2

1. Thread an aluminum column on the iron column
(Profile 62359)

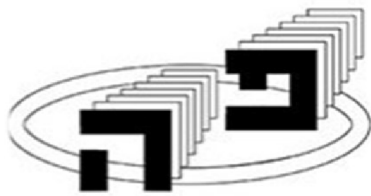


2. Level and fix using screws on both sides.



Technical Data

Profile No.	Description	Sketch	Weight g/m
62359	Front column 18		1.322

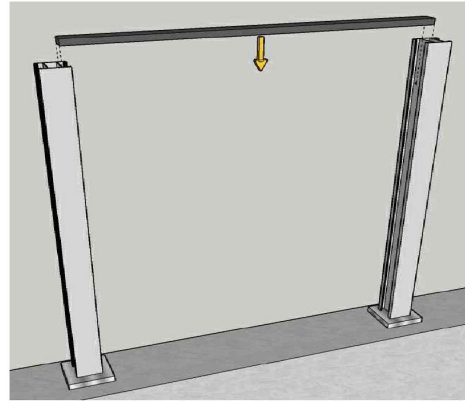


HA'GALIL PROFILES LTD.

Advanced Aluminum Systems *3275

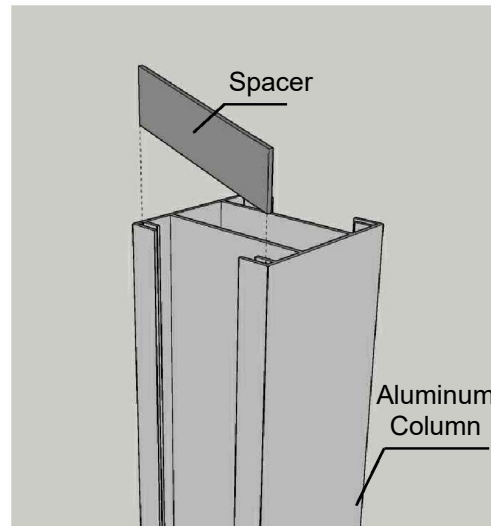
Stage 3

The Hi-tech in threading system receives an 18X40 profile, catalog No. 563042 or diagonal at a 45 degrees angle or perpendicular (the narrowest side of the profile is seen in both sides of the fence).



Stage 4

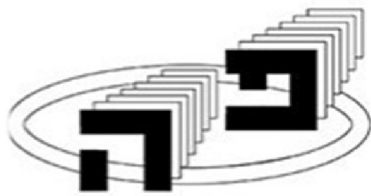
Fixed spaces between the profiles are gained by spaces inserted at the designated places. For example, when you want a 2 cm space between one profile to another, use a 2 cm spacer.



The adjustable hi-tech fence offers the option to cut spaces at an angle, which will arrange all the profiles in diagonal lines.

Technical Data

Profile No.	Description	Sketch	Weight g/m
02137	Segment 20X60	—	323

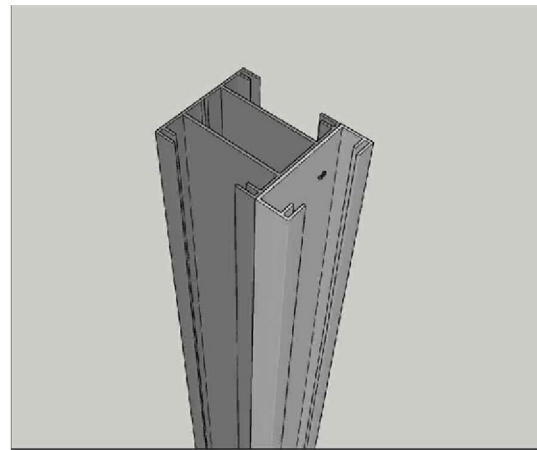
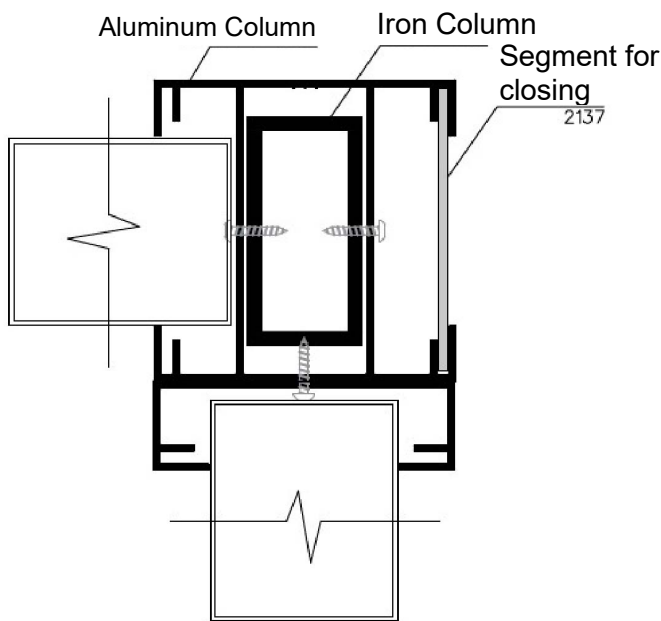
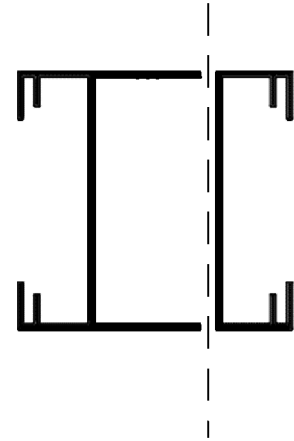


HA'GALIL PROFILES LTD.

Advanced Aluminum Systems *3275

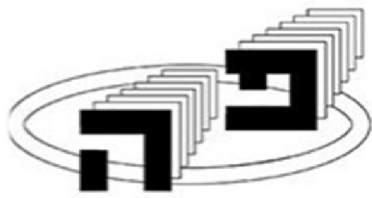
HI-TECH FENCE IN THREADING - 90 DEGREES CORNERS CONNECTION OPTION

1. Cut a 63459 profile (shave a U from this profile).
2. Use screws to join to profile 62359



Technical Data

Profile No.	Description	Sketch	Weight g/m
62359	Front column		1.322

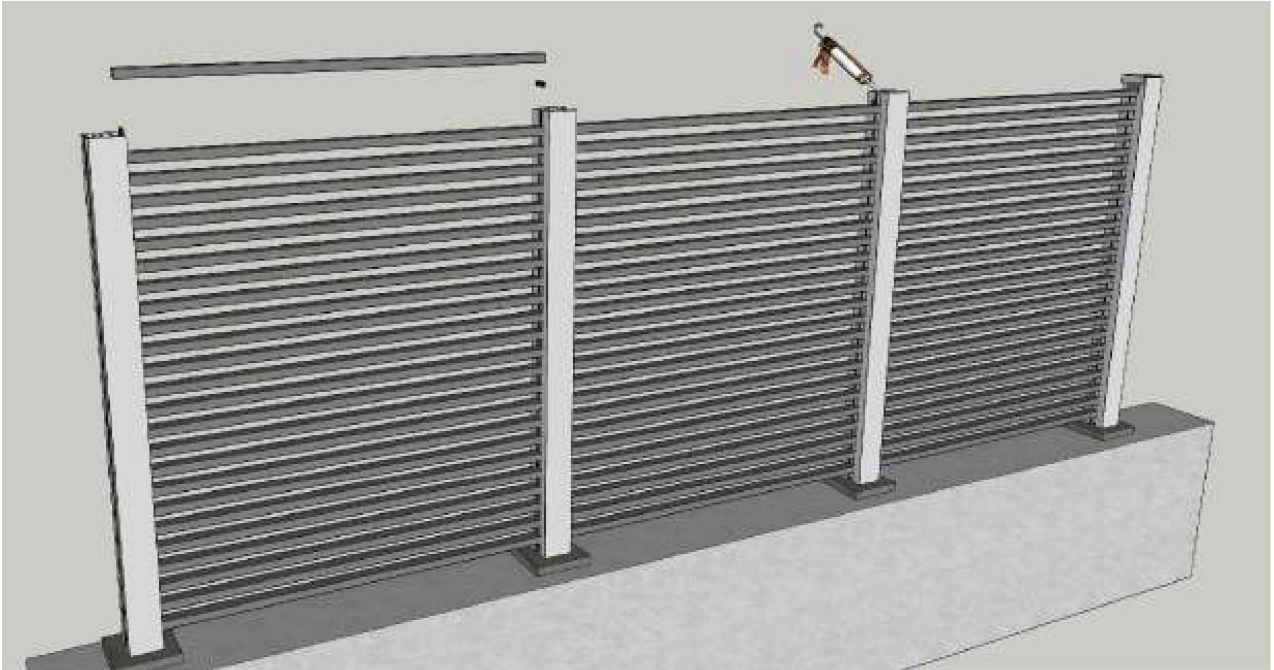


HA'GALIL PROFILES LTD.

Advanced Aluminum Systems *3275

Stage 4 - Continued

1. After completing the threading of all the profiles and spacers up to the top rung, connect the top rung to the aluminum column by inserting the screw diagonally.



* For threading hi-tech fences at an angle - cut the segment at an angle and insert the spacer into the designated place.

2. Apply silicon on the top column and cover the column with an aluminum cap.